

HALORAD



The halo overhead tube support is a heavy duty, hospital grade, manually operated, fully counterbalanced ceiling mounted unit.

The halo tube support provides flexibility to facilitate a wide range of x-ray procedures.

Fully counterbalanced, this heavy-duty system can be easily positioned at any selected point within its total range of travel.

The x-ray tube rotates a full 360-degrees about its vertical and horizontal axis with mechanical indexing at each 90-degree position.

The ergonomic operator control panel provides convenient selections to allow the tube to be moved in the longitudinal, transversal, vertical and rotational directions, and allows for table/wall Bucky centering.

AC-AS-AH
ANY CEILING
ANY SPACING
ANY HEIGHT

A single handle control allows for fast and out of the way positioning. Clean, carefully laid out cable management.

The LCD Display indicates SID to tabletop/wall Bucky in inches or centimeters (calibrated at installation) and angulation of x-ray tube in degrees.

The “Intelligent Software” allows for fast and easy access to calibration and configuration.

Platform mount is standard, and a 10” orthopedic column extension is optional.

On board 24 V DC Power for Collimator, etc.

Durable powder coat finish.

ADAPTABLE TO CEILINGS

AS LOW AS 96”

PNP+
Plug/Play
Compatible

- PNP+ flora
- PNP+ aries
- PNP+ atlas

- 15+**
LIFE
CYCLE
- FS**
Fail Safe
Lock
- UP TO**
1.0 MHU
tubes
- UP TO**
95
PATIENTS
DAY
- HG**
HOSPITAL
GRADE
- USA**
MADE
IN THE
USA

Specification
(Model No: 02-000)

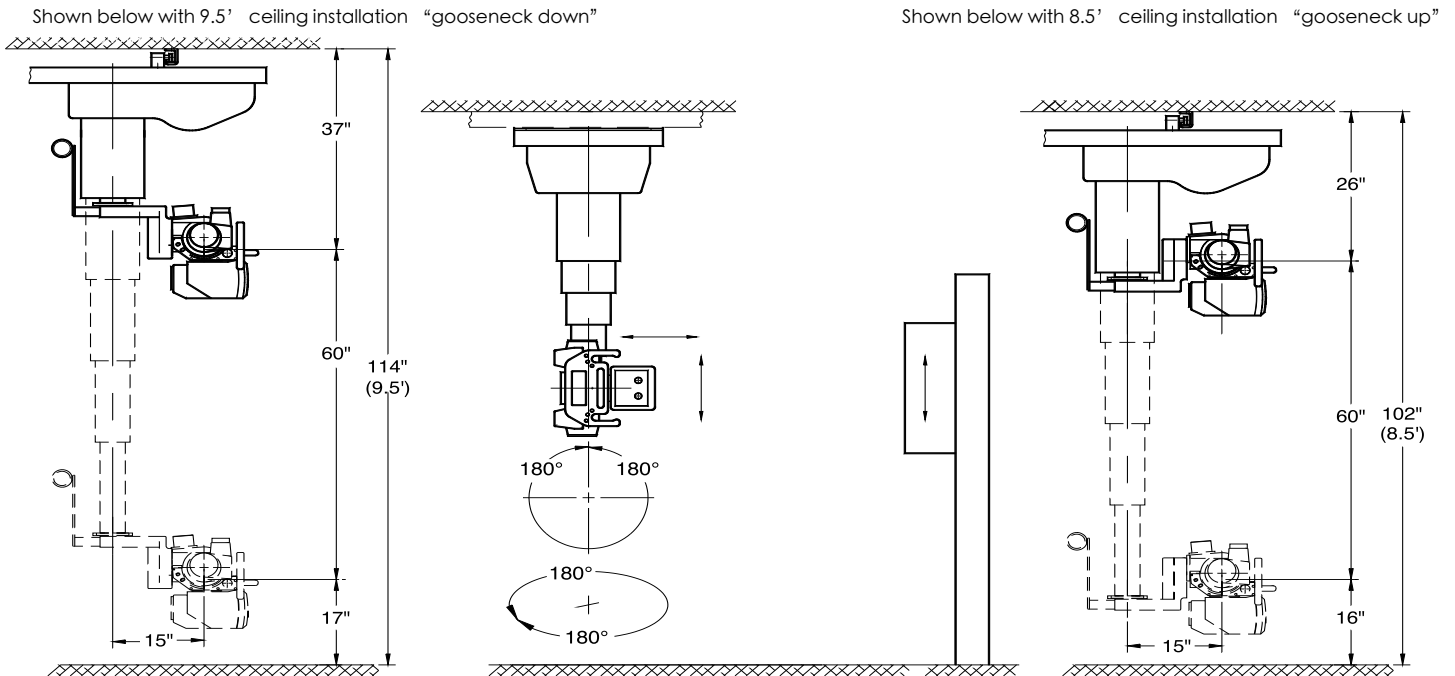
Installable on Ceiling Heights
As Low As 96"

Even Lower Ceiling Height
Installations Are Available

Longitudinal Rail Length (Standard):	14' (4.27 m)
	*Optional 12' 16' 18'
Transverse Bridge Length (Standard):	120" (3.03 m)
Vertical Travel (Standard):	60" (1,524 mm)
Total Weight of Standard Unit:	400 lbs. (181 Kg)
Component Weights	
Transverse Bridge:	109 lbs. (49.0 Kg)
Telescope Carriage:	214 lbs. (96.3 Kg)
Long Rails (2)	
14' :	70.0 lbs. (31.6 Kg)
12' :	60.2 lbs. (27.1 Kg)
16' :	80.3 lbs. (36.1 Kg)
18' :	90.4 lbs. (40.7 Kg)

Electrical Requirements: 115/220 VAC, 50/60 Hz, 5 Amps

HALO OVERHEAD TUBE SUPPORT CONFIGURATION



CoRE labs U.S.A.
T. 303-761-0131 F. 303-948-8913
www.corelabshome.com
MADE IN THE U.S.A.

